

## Models 106-PR-10159 UL/CCCF及106-PR-8702A ULC 减压阀

### 产品特点

- 通过美国UL/ULC及中国3C认证
- 可靠的隔膜驱动
- 液压操作设计
- 不锈钢紧固件
- ANSI 150 和 300 等级法兰
- 热熔红色环氧树脂涂层
- 适用于球型和角型



### 产品概述

106-PR-10159 型号，为（美）保险商实验所（UL）认证产品，同时通过中国公安部消防3C认证。可以有效地自动将较高阀前压力降低到稳定的较低阀后压力，不受阀前压力或流量波动的影响。

阀门以106-PG 型控制阀门为基础阀门，尺寸范围在2 in / 50 mm至8 in / 200 mm内可选。在典型的减压设备中，106-PR-10159 球型阀门是比较理想的阀门类型。如果需要角型阀门或卡箍式连接方式，请参考新歌106-PR-8702 ULC 型号。

### 示意图

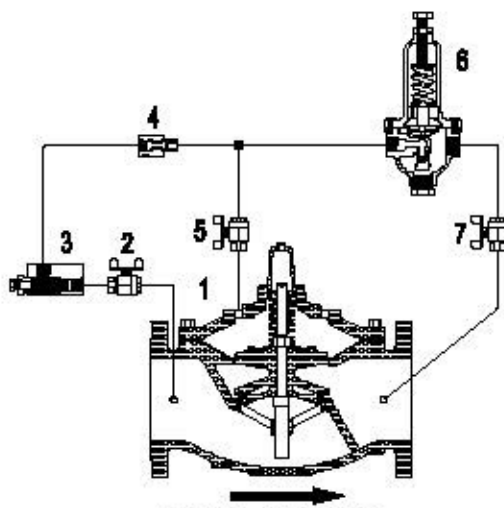


示意图 A-10159B UL

1. 主阀 - Model 106-PG, SPG或GE, Globe或Angle, 2in/50mm-8in/200mm UL (2in/50mm, 8in/200 mm ULC) 卡箍式-2in/50mm-8in/200mm, 球型阀体
2. 可锁定的隔离阀 J0044A\_SS - 可选
3. 过滤器 J0098 A - 标准尺寸 4 in / 100 mm 或更大尺寸
4. 固定限流装置
5. 可锁定隔离阀 J0044A\_SS - 可选
6. 减压导阀型号 161PR (UL), 160PR (ULC)
  - 范围: 30 to 165 psi / 2.06 to 11.37 bar (UL)
  - 范围: 20 to 200 psi / 1.38 to 13.8 bar (ULC)
  - 可选 100-300 psi / 3.89 to 20.68 bar
  - 注意: UL 和 ULC 导阀的最大设定出口压力为 165psi/11.37bar
7. 可锁定隔离阀 J0044A\_SS - 可选

注意: UL 认证的阀门在 6 in / 150mm 和 8 in / 200mm 口径上选用非接触式活塞。

# 型号 106-PR-10159 UL / CCCF及106-PR-8702A ULC 减压阀

## 标准材料

导阀系统标准材料为:

- ASTM B62 青铜或 ASTM B16 黄铜
- AISI 303 / 316 不锈钢支管
- Buna-N / EPDM 膜片和密封

106-PR-10159 - UL 认证		
阀门尺寸	最大压力/Class 150	最大压力/Class 300
1.5 in / 40 mm - 4 in / 100 mm	300 psi / 20.68 bar	300 psi / 20.68 bar
6 in / 150 mm - 8 in / 200 mm	300 psi / 20.68 bar	300 psi / 20.68 bar

PR-8702A - ULC 认证		
阀门尺寸	最大压力	
	Class 150	Class 300
球型 2 in / 50 mm - 8 in / 200 mm	175 psi / 12.06 bar	400 psi / 27.6 bar
角型 2 in / 50 mm - 8 in / 200 mm	175 psi / 12.06 bar	400 psi / 27.6 bar

PR-10159 - CCCF 认证		
阀门尺寸	最大压力/PN16	最大压力/PN25
3 in / 80 mm - 10 in / 250 mm	16 bar	待定

## Models 106-PR-10159 UL/ CCCF/106-PR-8702A ULC Pressure Reducing Valve

### KEY FEATURES

- UL and ULC CCCF approved for fire extinguishing systems
- Reliable diaphragm actuated
- Hydraulically operated design
- Stainless steel fasteners
- Class 150 and 300 flanges
- Heat-fused red epoxy coating
- Available in globe and angle style

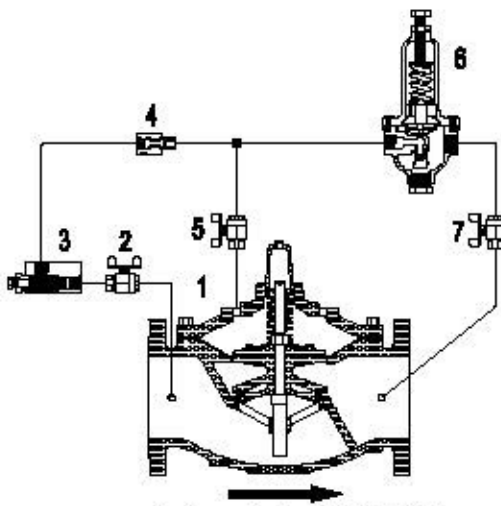


### PRODUCT OVERVIEW

The 106-PR-10159, which is UL and ULC labelled and CCCF listed, is ideal for automatically reducing a higher inlet pressure to a steady lower discharge pressure, regardless of fluctuations in flow or inlet pressure.

The valves are based on the 106-PG or A106PG control valves and are available in a complete range of sizes from 2 in / 50 mm to 8 in / 200 mm (sizes depend on UL classification). In typical pressure reducing applications, the globe style 106-PR is often the preferred valve style.

### SCHEMATIC DRAWING



Schematic A-10159B UL

1. Main Valve - Model 106-PG, SPG or GE, Globe or Angle, 2 in / 50 mm - 8 in / 200 mm UL (2 in / 50 mm, 8 in / 200 mm ULC) Grooved - 2 in / 50 mm to 8 in / 200 mm, Globe style only
2. Lockable Isolation Valve J0044A\_SS - optional
3. Strainer J0098A - standard 4 in / 100 mm and larger
4. Fixed Restriction
5. Lockable Isolation Valve J0044A\_SS - optional
6. Pressure Reducing Pilot Model 161PR (UL), 160PR (ULC)
  - Range: 30 to 165 psi / 2.06 to 11.37 bar (UL)
  - Range: 20 to 200 psi / 1.38 to 13.8 bar (ULC)
  - Optional 100-300 psi / 3.89 to 20.68 bar
  - Note: Maximum outlet setting for both UL and ULC pilots is 165 psi / 11.37 bar
7. Lockable Isolation Valve J0044A\_SS - optional

Note: UL listed valves use rolling diaphragm on 6 in / 150 mm and 8 in / 200 mm valves. ULC listed valves use flat diaphragms only. For UL dimensions, ULC dimensions and Grooved dimensions, see page 28.

# Models 106-PR-10159 UL/ CCCF/106-PR-8702A ULC Pressure Reducing Valve

## STANDARD MATERIALS

Standard materials for pilot system components are:

- ASTM B62 bronze or ASTM B16 brass
- AISI 303 / 316 stainless steel trim
- Buna-N / EPDM diaphragm and seals

106-PR-10159 - UL Listed		
Valve Size	Max Pressure/Class 150	Max Pressure/Class 300
1.5in / 40 mm - 4 in / 100 mm	300 psi / 20.68 bar	300 psi / 20.68 bar
6 in / 150 mm - 8 in / 200 mm	300 psi / 20.68 bar	

PR-8702A - ULC Listed		
Valve Size	Max Pressure	
	Class 150	Class 300
Globe 2 in / 50 mm - 8 in / 200 mm	175 psi / 12.06 bar	400 psi / 27.6 bar
Angle 2 in / 50 mm - 8 in / 200 mm	175 psi / 12.06 bar	400 psi / 27.6 bar

PR-10159 - CCCF Listed		
Valve Size	Max Pressure/PN16	Max Pressure/PN25
3in / 80 mm - 10 in / 250 mm	16 bar	TBD